

ITA-171

Phytium Fanless Compact System



Features

- Built-in FT-2000/4 and D2000/8 processor
- Supports max 32GB memory
- Supports 4 x USB 3.0 + 4 x USB 2.0
- Supports 2 x GbE
- Supports M.2 for 5G module
- No RED Certification



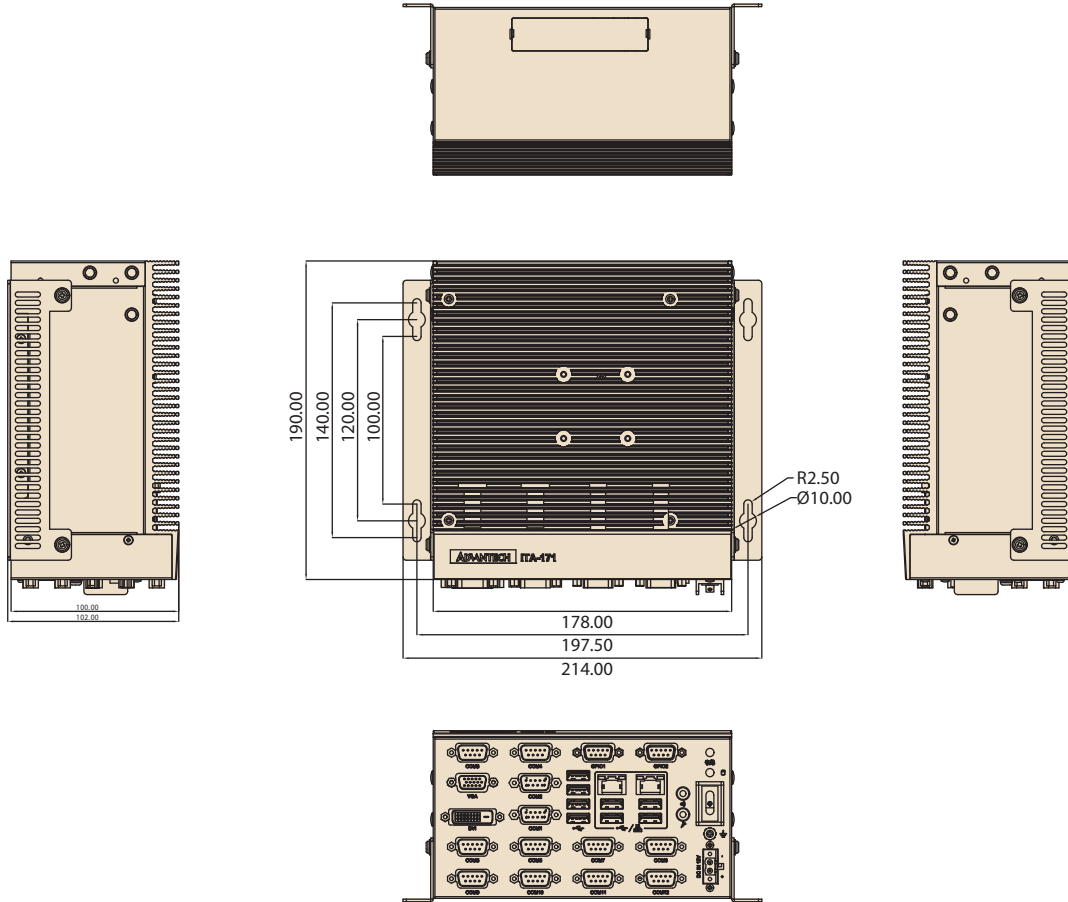
Specifications

Processor System	CPU	FT-2000/4	D2000/8
	Processor frequency	2.6GHz	2.3GHz
	Core	4 Core	8 Core
	TDP	30W	25W
	L2 Cache	4MB	
	BIOS	Phytium UEFI	
Memory	Technology	DDR4/2666 (SO-DIMM)	
	Max Capacity	32GB	
	Socket	2 x 260-pin SO-DIMM	
Ethernet	Interface	10/100/1000 Mbps	
	Controller	2 x YT8521SH-CA	
	Connector	2 x RJ45	
Storage	SSD	2 x 2.5" SSD max 9.5mm	
I/O Interface	VGA	1	
	DVI	1	
	LAN	2	
	USB	4 x USB3.0, 4 x USB2.0	
	Serial Port	2 x DB9, RS232/422/485 + 10x DB9, RS232	
	GPIO	2 x DB9 8-bit GPIO	
	Audio	1 x line-out, 1 x MIC-in	
Expansion Slots	Mini PCIe	Gen3, 1 slot	
	PCIe	2 x PCIe (Only ITA-171E Support)	
	M.2	1 x M.2 B-key 3050 with Micro SIM	
Power	Input Voltage	12V DC	
	power button	1 x power button	
Environment	Temperature	Operating	Non-Operating
		-25 ~ 60 °C	-40 ~ 85° C
Mechanical Features	Dimensions (W x H x D)	ITA-171: 178 x 100 x 190 mm ITA-171E: 178 x 115 x 215 mm	
	Install	Desktop / Wall mount	
Certifications	EMC	CCC	
	Safety	CCC	
OS	Support	Linux Ubuntu 18.0 / UOS / KylinOS	

Dimensions

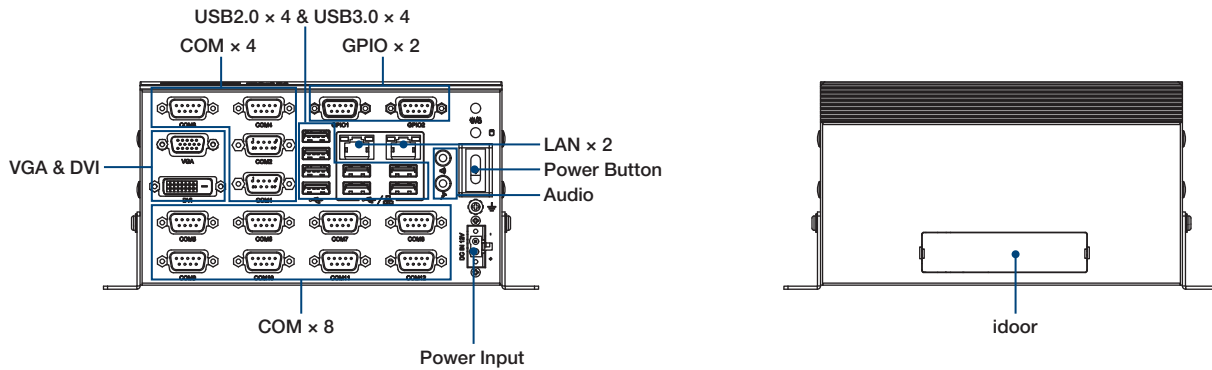
ITA-171

Unit: mm [inch]



Front View

Rear View



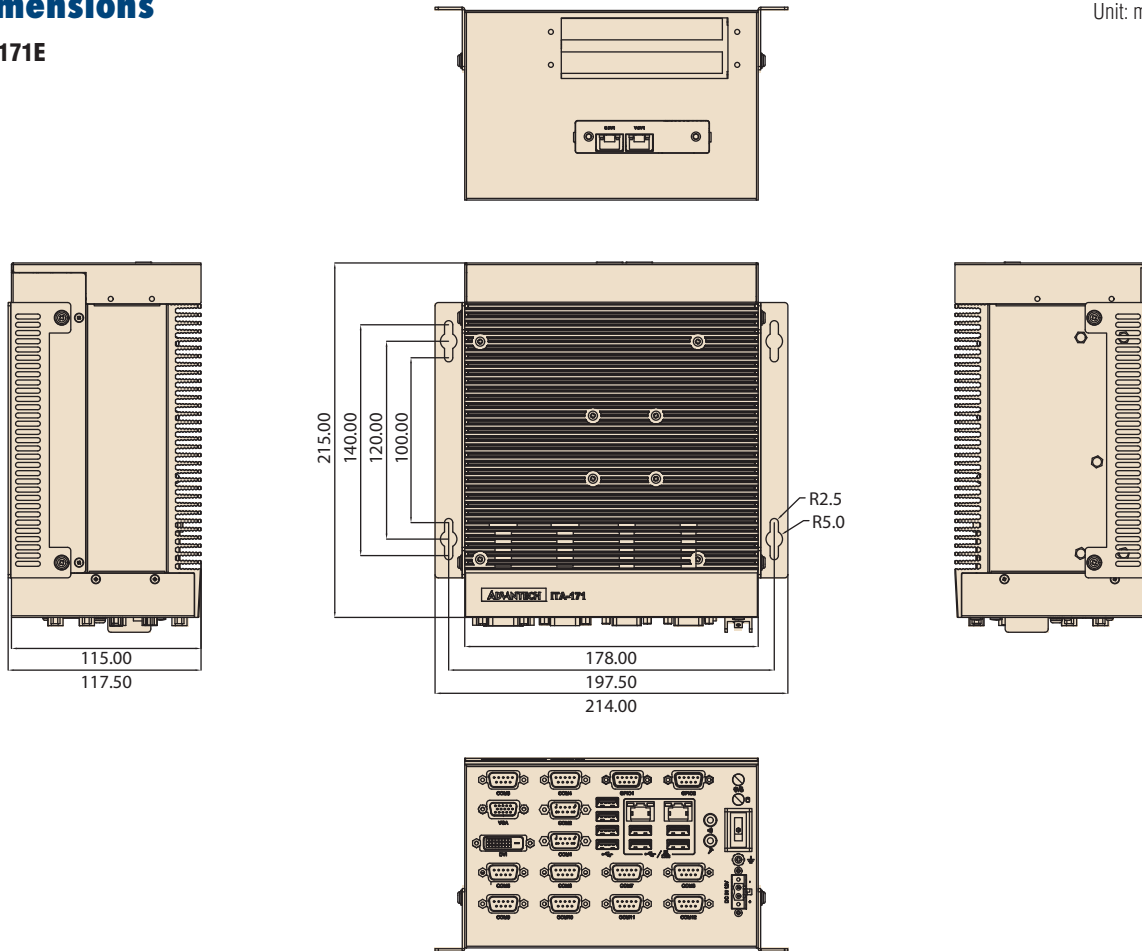
Ordering Information

Part Number	CPU	Display	USB 2.0	USB 3.0	LAN	COM	GPIO
ITA-171-00A1	FT-2000/4	VGA+DVI	4	4	2	12	2
ITA-171-10A1	D2000/8	VGA+DVI	4	4	2	12	2

Dimensions

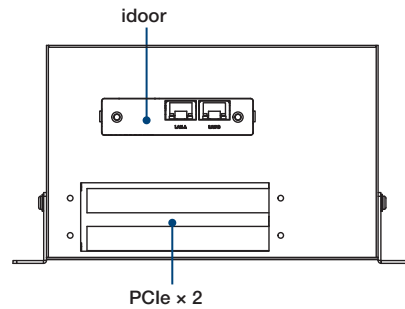
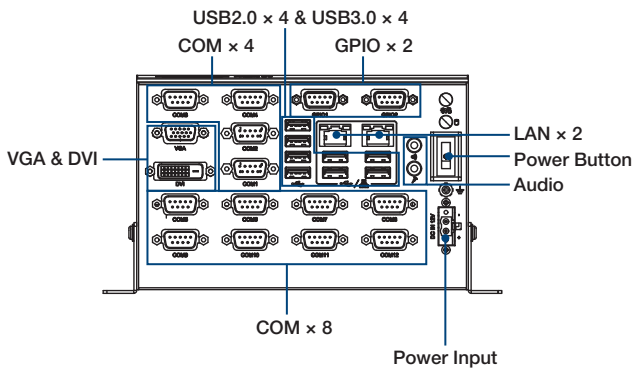
ITA-171E

Unit: mm [inch]



Front View

Rear View



Ordering Information

Part Number	CPU	Display	USB 2.0	USB 3.0	LAN	COM	GPIO	PCIe
ITA-171E-00A1	FT-2000/4	VGA+DVI	4	4	2	12	2	2
ITA-171E-10A1	D2000/8	VGA+DVI	4	4	2	12	2	2