

# 无风扇嵌入式工控机 CIS-PTLU-LW01



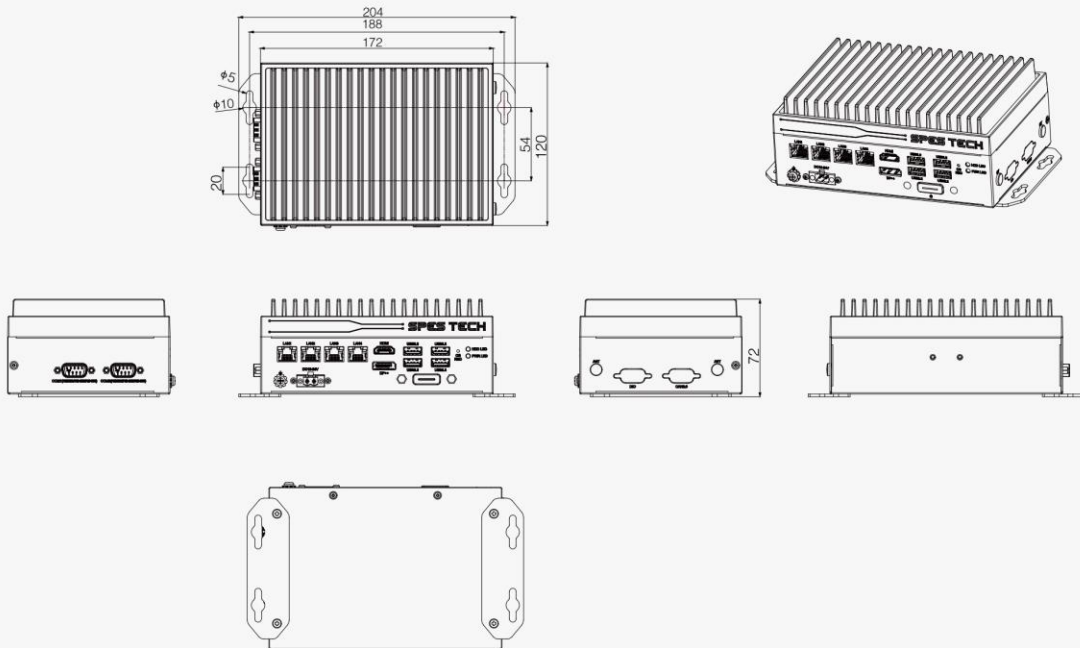
## ■ 特性 Characteristic

- CIS-PTLU-LW01是一款无风扇高性能边缘计算设备
- 产品搭载Intel® 11th Tigerlake UP3 平台处理器
- 12~24V宽压输入
- Intel® 四千兆网口
- 串口、USB、GPIO、CAN 2.0, 4K HDMI, DP++双显示等功能
- OS Recovery功能

## ■ 正视图 I/O View



## ■ 六视图 Dimention



# 无风扇嵌入式工控机 CIS-PTLU-LW01

## 规格 Specification

### 系统 System

处理器 Processor	Intel® 11th i5/i3/Celeron处理器 ( Tiger lake UP3 ) 6305/i3-1115G4/i5-1135G7
内存 Memory	1 x DDR4 3200MHz SO-DIMM, Up to 32 GB
BIOS	AMI 128Mbit SPI Flash
图形 Graphics	Intel® Integrated Graphics
操作系统 OS	Windows 10 64bit , Linux
看门狗定时器 Watchdog Timer	System reset, programmable 255 levels timer interval, from 1~255 sec/min

### 外部I/O External I/O

网口 Ethernet	4 x RJ45 3 x RJ45 Intel® I211-AT GbE ( 10/100/1000 Mbps ) 1 x RJ45 Intel® I219-V GbE ( 10/100/1000 Mbps )
显示 Video	1x HDMI: max resolution up to 4096x2304@30Hz 1x DP++: max resolution up to 4096x2304@60Hz
串口 COM	2 x COM ( RS232/422/485 )
USB	4 x USB 3.2 ( Gen2 )
GPIO/COM	1 x 8bit programmable GPIO/COM
CAN/COM	1 x CAN 2.0B/COM
按钮 Button	1 x Power button w/LED
OS Recovery	1 x OS Recovery
指示灯 LED	1 x HDD LED 1 x Power LED

### 机构 Mechanical

外观 Housing	铝合金 Aluminum Alloy
安装方式 Mounting	可选:导轨式 ( DIN-Rail ) 标配:桌面式 ( Desk-Mount ) , 壁挂式 ( Wall-Mount )
尺寸 Dimension	204 x 120 x 72mm

### 内部I/O Internal I/O

扩展接口 Expansion	1 x Full-size Mini-PCIe Slot ( USB/PCIe ) 1 x M.2 2242 slot ( SATA 3.0 ) 1 x M.2 2230 slot for Wifi module
COM	2 x RS232
USB	2 x USB 2.0 pin header
SATA	1 x SATA 3.0 + SATA power
GPIO	1 x 8bit programmable GPIO ( 如果外部接口选配GPIO, 则内部无此项 )
CAN	2 x CAN 2.0B ( 如果外部接口选配CAN, 则内部无此项 )
SIM	1 x SIM Card Slot
ATX/AT jumper	1 x ATX/AT jumper

### 电源 Power

电源输入 Power Input	12~24V DC
接口 Interface	凤凰接头 2P

### 环境 Environmental

操作温度 Operation Temp.	-20°C ~ 50°C ( SSD )
存储温度 Storage Temp.	-40°C ~ 60°C
操作湿度 Operating Relative Humidity	50°C 95%RH ( SSD )
存储湿度 Storage relative Humidity	60°C 95%RH 非凝露 Non-condensing
随机振动 Random Vibration	5~500Hz, 2Grms ( SSD ) operation, 5~500Hz, 1Grms ( HDD ) operation
正弦振动 Sine Vibration	5~500Hz, 2G Non-operation
机械冲击 Shock	Operation: 10G@11ms; Non-operation: 20G@11ms

### 认证 Certification

安规认证 Safety Certification	CCC
---------------------------	-----

